



OMNI
GATES

USER MANUAL

ROLLING GRILLES AND GATES

GUARD

INTENSE

FACTORY

EASYLOOK



NOTE! CAUTION!



In order to safely operate and perform maintenance of a rolling gate, please comply with the following set of instructions. All the instructions and cautionary notes contained herein are to be read and applied according to safety regulations! In case of doubts, contact the supplier.



- This user manual described the operation and technical maintenance of a rolling gate/grille only. All accessories come with their separate manuals.
- This user manual is to be carefully read before commencing work.
- Some elements of the gate/grille may have sharp and uneven edges. It is highly recommended to use protective gloves during assembly, repairs and maintenance.
- All provided parts are designed for use with a specific rolling gate/grille model. Auxiliary equipment may affect gate/grille operation, safety and warranty conditions and applicability.
- Children and unauthorised persons are prohibited from operating the gate/grille due to the safety reasons.
- All rights included in this manual are reserved. Technical information may be subject to change without prior notice.
- The supplier is required to ensure the conformity of manufactured equipment and assemblies with industry standards.
- **THE ROLLING GATE/GRILLE IS A LARGE AND HEAVY MOVING OBJECT. IMPROPER OPERATION, DAMAGE AND NEGLIGENCE MAY CAUSE DAMAGE TO PROPERTY AS WELL AS INJURY AND DEATH! IF THIS MANUAL FAILS TO ADDRESS ALL ISSUES, CONTACT THE SUPPLIER! EXTRA CARE AND CAUTION IS TO BE TAKEN DURING THE OPERATION OF ROLLING GATES/GRILLES!**

CONTENTS

	page:
1. Parts of the gate/grille	3
2. Applications	4
3. Working principle	4
4. Opening and closing of the gate/grille	4
4.1. Automatic opening and closing	4
4.1.1. Opening and closing with an electric switch	4
4.1.2. Remote control operation	5
4.2. Using the emergency opening crank	5
5. Improper use	5
6. Safety equipment	5
6.1. Protection against the effects of armouring detachment	5
6.2. Protection against crushing	5
6.3. Edge protection	5
7. Repairs, servicing and maintenance	6
7.1. Overview	6
7.2. Maintenance and cleaning	6
8. Before you call the service	6
9. Final notes	6
10. Warranty card	7
11. General sales conditions	7
12. Certificate	11
13. Inspections and repairs	12



NOTE!
POSSIBILITY OF JAMMING!

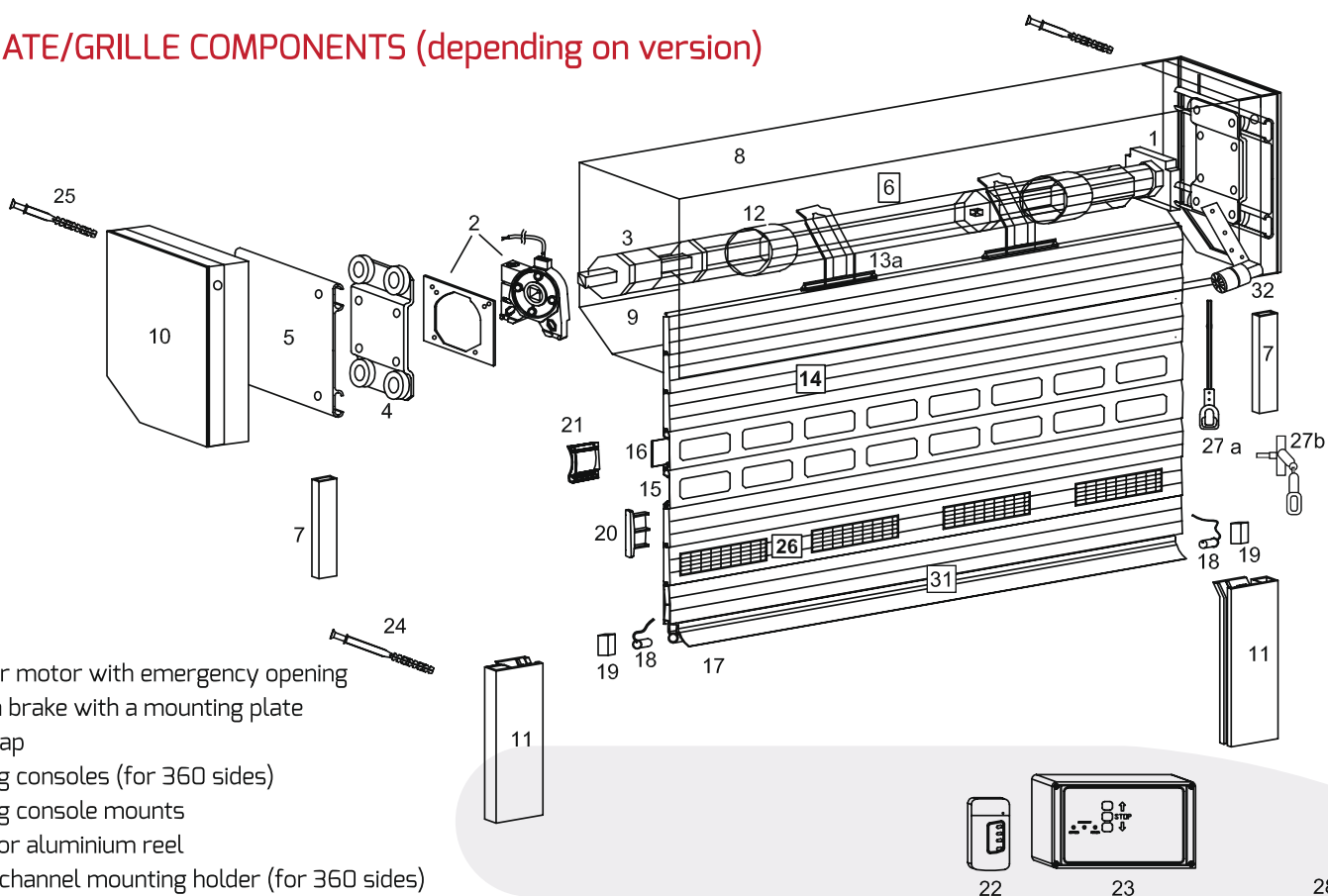


NOTE!
SHARP ELEMENTS!

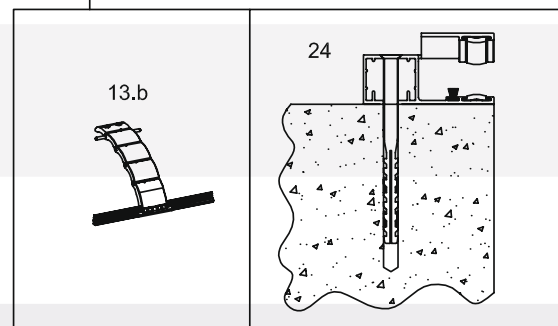
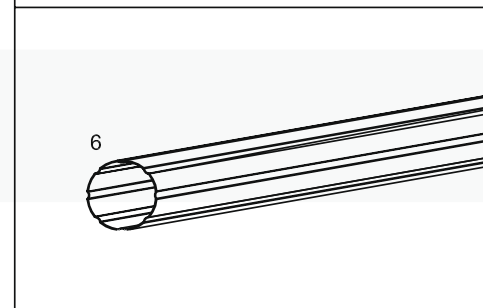
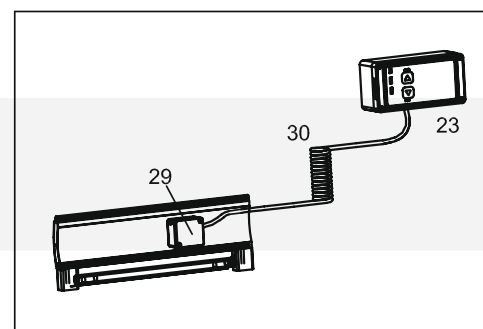


NOTE!
DANGER!

1. GATE/GRILLE COMPONENTS (depending on version)



1. Tubular motor with emergency opening
2. Inertia brake with a mounting plate
3. Reel cap
4. Driving consoles (for 360 sides)
5. Driving console mounts
6. Steel or aluminium reel
7. Guide channel mounting holder (for 360 sides)
8. Top part of the cover box (300 mm or 360mm)
9. Bottom part of the cover box (300 mm or 360mm)
10. Steel or aluminium sides (300 mm or 360mm)
11. Guide channels type 90 or 150
12. Adapting rings
- 13a. Steel brackets with aluminium key
- 13b. Locking brackets
14. Insulated aluminium profile
15. EasyLook extruded profile
16. Transparent slat for EasyLook profile
17. Sealing slat or photo-optical sealing slat
18. Photo-optical sensor
19. Photo-optical sealing slat stopper
20. Insulated aluminium profile lock
21. Easylook profile lock
22. Remote controller
23. Control unit (acc. to specifications)
24. Mounting bolt with plug for the guide channel (not included, acc. to separate specifications)
25. Mounting bolt with plug for the cover box (not included, acc. to separate specifications)
26. Ventilation profile
- 27a. Emergency opening crank eye
- 27b. Cardan joint with eye
28. Emergency opening crank
29. Photo-optical cable holder
30. Spiral photo-optical cable
31. Endslat
32. Guide rollers





NOTE! SAFE GATE/GRILLE OPERATION MANUAL

Safe operation principles:

- A. Installation, repairs and servicing may only be performed by trained and qualified personnel!
- B. Reading this user manual is required before any assembly or repair works!
- C. Keep a safe distance from a moving gate/grille. Improper operation, damage and negligence may cause damage to property as well as injury and death!
- D. Children are prohibited from operating the gate/grille!
- E. The gate must always be observed while operating with a remote controller. No persons or objects are allowed in the way of a travelling gate!
- F. Do not touch the guide channels or other elements of a travelling gate. A special crank is to be used for emergency manual opening!
- G. Inspections of all rolling gate/grille parts are to be performed periodically!

2. APPLICATIONS

Gates/grilles are designed for closing openings in buildings, halls, stalls within buildings, screening and separating areas within building and cannot be used for other purposes. Rolling gates/grilles are not designed for continuous operation.

The manufacturer accepts no responsibility for damage resulting from improper use of the gate/grille.

3. WORKING PRINCIPLE

The armouring is the actual division element of the gate/grille. The armouring travels vertically up (when the gate/grille is opened) or down (when the gate/grille is closed). The armouring is composed of connected slats winding on a reel during opening/closing. Depending on the gate/grille type, the reel may be installed in a closed cover box or on open driving consoles. Guide channels direct the travel of the armouring. The armouring of the gate/grille is connected to the reel with special brackets. Depending on the gate/grille version, the brackets may be flexible, made of steel and aluminium (steel brackets with aluminium key) or fixed (locking brackets), made of metal and plastic.

An electric drive, controlled with a switch or remotely with a radio controller, is installed inside the reel. The drive is equipped with emergency manual opening mechanism. Due to this fact, the gate/grille may be opened manually with a special crank during a power failure. The gate/grille may be equipped with protection against uncontrolled armouring drop and with protection against driving the gate/grille into an obstacle.



MOTOR ADJUSTMENT MAY ONLY BE PERFORMED BY A QUALIFIED SERVICE TEAM!

4. OPENING AND CLOSING OF THE GATE/GRILLE



NO PERSONS OR OBJECTS ARE ALLOWED IN THE WAY OF A TRAVELLING GATE.

4.1. Automatic opening and closing

In this case, the gate/grille reel is driven by an electric motor to wind and unwind the armouring, resulting in opening and closing of the gate/grille. The short version of the user manual is presented below. More information can be found in the full user manual supplied by the drive manufacturer and control system manufacturer.

4.1.1 Opening and closing with an electric switch

OPENING

Press the appropriate button on the control panel.

CLOSING

Press the appropriate button on the radio remote control.

STOPPING

Press the appropriate button on the control panel.

4.1.2 Remote control operation

OPENING

Press the appropriate button on the radio remote control.

CLOSING

Press the appropriate button on the radio remote control.

STOPPING

Press the appropriate button on the radio remote control.

4.2. Using the emergency opening crank

Insert the emergency crank to the opening in the cover box or attach to the crank eye and turn as shown on the sticker.



NOTE!

- **The emergency manual opening crank must not be used when the gate/grille is powered from the network and it is possible to control the gate/grill with a switch or a remote controller. This may result in damaging the gate/grille.**
- **Extra care is to be taken for the endslat not to enter the cover box during manual opening. This may result in damaging the gate/grille. The endslat is to be fully visible.**

5. IMPROPER USE



NOTE!

- DO NOT LEAN AGAINST THE GATE/GRILLE ARMOURING OR GUIDE CHANNELS!
- DO NOT INSTALL ANY ELEMENTS CHANGING THE WEIGHT OF THE GATE/GRILLE!
- DO NOT DISASSEMBLE ANY PARTS OF THE GATE/GRILLE!
- DO NOT USE THE GATE/GRILLE FOR LIFTING PERSONS OR OBJECTS!
- KEEP THE REMOTE CONTROLLER AWAY FROM CHILDREN!
- DO NOT PUT FINGERS INTO THE GUIDE CHANNEL!
- DO NOT CLIMB THE GATE/GRILLE ARMOURING!
- DO NOT STAND ON ANY GATE/GRILLE PARTS!
- DO NOT USE THE GATE/GRILLE WITH INSPECTION PANEL OPEN!
- WHILE DRIVING THROUGH, MAKE SURE THAT THE GATE/GRILLE IS FULLY OPEN!

6. SAFETY EQUIPMENT

6.1. Protection against the effects of armouring detachment

Inertia brake

Protects the safety of persons, animals and objects in close proximity to the gate/grille.

The brake serves as a protection measure, holding the weight of the armouring and stopping it in case of a sudden, uncontrolled drop.

6.2. Protection against crushing

Photosensor

Protects the safety of persons, animals and objects in close proximity to the gate/grille.

The photosensor stops or reverts the travel of the gate/grille armouring in case an obstacle is placed in the way of the gate/grille.

6.3. Edge protection

Photo-optical sealing slat

Protects the safety of persons, animals and objects in close proximity to the gate/grille.

The slat stops or reverts the travel of the gate/grille armouring in case it comes into contact with an obstacle.



THE ROLLING GATE/GRILLE IS A LARGE AND HEAVY MOVING OBJECT. IMPROPER OPERATION, DAMAGE AND NEGLIGENCE MAY CAUSE DAMAGE TO PROPERTY AS WELL AS INJURY AND DEATH! IF THIS MANUAL FAILS TO ADDRESS ALL ISSUES, CONTACT THE SUPPLIER! EXTRA CARE AND CAUTION IS TO BE TAKEN DURING THE OPERATION OF ROLLING GATES/GRILLES!

7. REPAIRS, SERVICING AND MAINTENANCE

7.1. Overview

Inspections and maintenance of gate/grille parts are necessary and required by law in Europe (at least once a year).

For their own safety, customers are advised to order periodical inspections of gates with specialised service companies.

If any operational faults occur, please call your after-sales service immediately. Annual inspections by unauthorised companies as well as the use of unoriginal spare parts void all warranty claims.

7.2. Maintenance and cleaning



REPAIRS AND SERVICING OF GATES/GRILLES MAY ONLY BE PERFORMED BY TRAINED AND QUALIFIED PERSONNEL!

The customer may only perform minor maintenance works, such as:

- Check the condition and tighten loose bolts and nuts.
- Clean the guide channels, if necessary.
- Check the condition and clean rubber side, top and bottom seals.
- Clean the dirt from the opening.
- Apply silicone to guide channels and endslat.



Internal and external cleaning of the gate/grille

The gate/grille may be cleaned with fabric and soapy water (may be car shampoo) and rinsed with clean water. Water flow is not to be directed on the cover box and visible electrical elements. Cleaning should not be done when the ambient temperature drops below 5°C.

Cleaning the acrylic windows

The windows may be cleaned with a soft cloth and soapy water in order to prevent scratching.



ALL ABOVE WORKS CAN ONLY BE PERFORMED AFTER DISCONNECTING THE POWER. NON-COMPLIANCE MAY RESULT IN ELECTRICAL SHOCK!

8. BEFORE YOU CALL THE SERVICE

Not every problem with the gate/grille requires calling the service and bearing the costs.

When the gate/grill does not function properly, the following activities are recommended before calling the service. They might help to solve the problem without having to pay for service. These activities are within the servicing scope that may be performed by the user, according to the manufacturer.

1. Check the current in the supply circuit and the fuse. If the fuse is off, switch it back on and try to operate the gate again.
2. In the gate/grill is equipped with a control switch, check if it responds to pressing the buttons. If the gate does respond, check the remote control (optional) power by replacing the battery.
3. When the ambient temperature falls below zero (constantly or periodically) and in the case of subsequent snow or rain – there is a possibility of endslat freezing to the ground and covering the armouring with ice. In such cases, try using a defrosting agent on the endslat and moving it delicately.

If the activities listed above did not solve the problem or if the gate/grille does not work properly (i.e. switches off by itself, makes excessive noise), secure the gate/grille, disconnect it from a power source and immediately call an authorised service.

NOTE!

The situations of gate/grille freezing to the ground and the consequences of such situations are not covered by the warranty. Taking care of the cleanliness of gates, ground in contact with the endslat as well as preparing the gate for the winter season should be performed by the customer. The customer should remember in particular to visually inspect the endslat for freezing. In order to prevent freezing, appropriate silicone should be applied to the rubber seal of the endslat and to the sliding chambers of the guide channels.

9. FINAL NOTES

1. Observe the guidelines of this manual.
2. Pay attention to any obstacles in the way of the gate/grille during operation. This guarantees long service life of the gate/grille.